



SP493

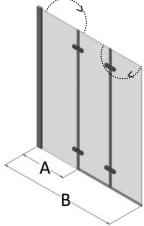
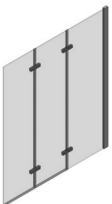
Bath Screen
Triple Panel

The three panels of the SP493 provide an even larger area for showering, whilst creating an effective water barrier.

The bath screen can be folded away neatly when not in use.

KEY FEATURES

- 8** 8mm toughened glass
- CS** Includes ClearShield ECO-GLASS™
- Covered by AQATA's Lifetime Guarantee (see page 127)
- H** Screen height is 1500mm
- TOP** Rim of bath must be flat and level
-  Suitable for power showers (see page 126)
-  Glass etching available (see page 113)
Subject to size restrictions

Dimensions			
A	B	LH Fixed	RH Fixed
495-518	1300		

Prices				
Size mm	Code LH Fixed	Code RH Fixed	Price Ex VAT	Price Inc VAT
1300	SP493-1300LHF	SP493-1300RHF	£686.67	£824.00



Featured: SP493-1300-RHF